

ePCC GV6

Electronic Pre-Chamber Control Valve

Applications

The ePCC (electronic pre-chamber control) GV6 valve is a solenoid operated high speed gas admission valve. The ePCC GV6 serves as a flow control device for check valve fueled pre-chambers. Using the ePCC GV6 the fuel timing of a standard check valve can be controlled.

Construction

Materials The housing is manufactured from high strength anodized aluminium.

All parts exposed to the gas are resistant to corrosion and stress corrosion cracking.

Mounting May be mounted in any configuration, however, a vertical orientation (valve outlet facing downwards) is preferred.

Gas Inlet Hole Diameter 0,6mm (0,24in)

Gas Outlet Hole Diameter..... 11mm (0,43in)

Specifications

Equivalent Flow Area	6mm ²
Steady State Flow-Rate	6.5g/s CNG @
(Contact Hoerbiger for specific application)	P1=5barg, P2=ATM
Internal Leakage.....	<0.2% of steady state flow-Rate
Nominal Differential Pressure	5barg (72,5psig)
Maximum Differential Pressure	12barg (174psig)
Max. Gas Supply Pressure (P1).....	18barg (260psig)
Maximum Backfire Pressure Spike	2barg (29psig)
(without backflowing through valve)	
Maximum Housing Pressure	25barg (360psig)
(non operating)	
Opening Time of Valve	1ms*
Response Time.....	1ms*
Voltage Supply	12–24V
Peak Current	9amps
Hold Current	2amps
*(assumes the use of a HOERBIGER SDM (Solenoid Driver Module))	
(Boost Voltage 90-110V; Peak time 1-1,5ms)	
Max. particle size within fuel gas.....	<5µm
(integrated protection filter: 20µm)	
Max. particle concentration:	1ppm
Ambient Temperature:	-20–85°C (-4–185°F)
Fuel Gas Temperature:	-20–85°C (-4–185°F)

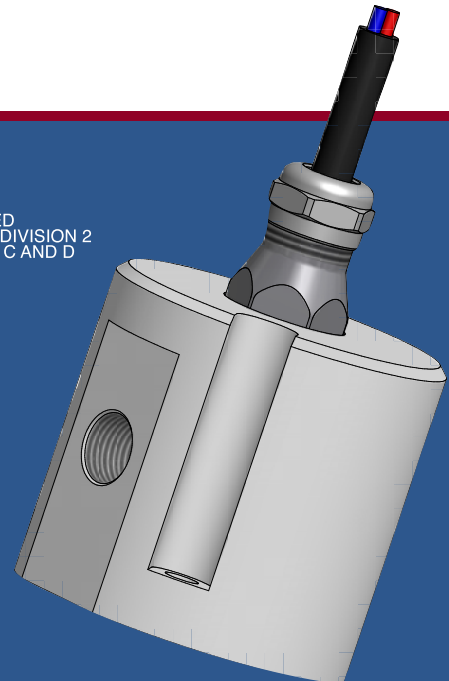
Certificates*:

Ex nA IIB:

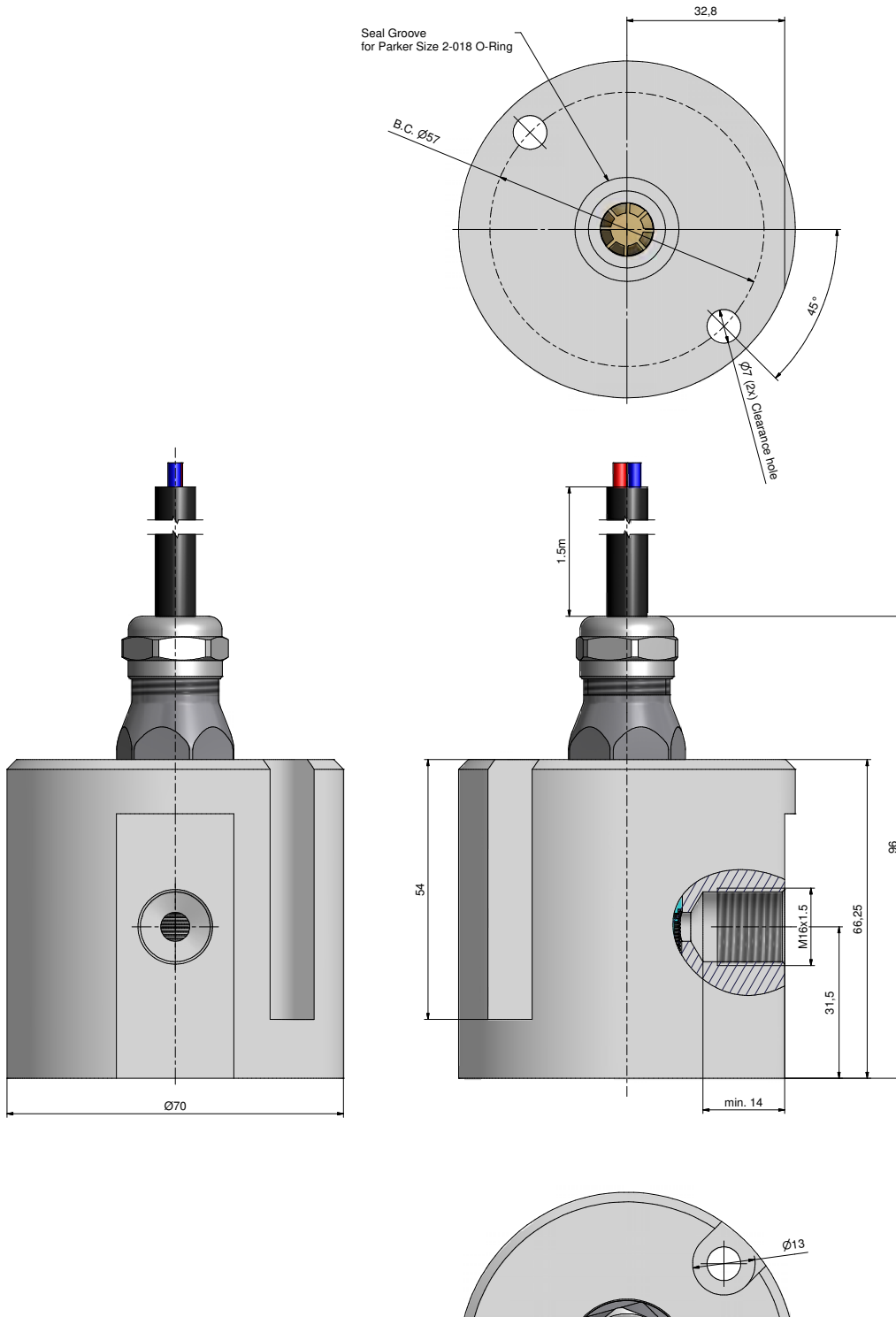
CSA Class I, Div. 2, Groups C & D

rated 30Vdc, 3W max., Temperature Codes T4, Tamb = 85°C; T3

*Application pending



Dimensions – Valve 1764082



altronic
HOERBIGER Engine Solutions

HOERBIGER Ventilwerke GmbH & Co KG
Braunhubergasse 23, 1110 Wien, Austria
Tel. +43 1 74 004 388 / Fax. +43 1 743 42 22 400
E-mail: info-hvt@hoerbiger.com
<http://www.hoerbiger.com>

Form ePCC GV6 Machined Version 11-11 ©2011 Altronic, LLC