

FLASHGUARD 2.0 Secondary Spark Plug Lead System

- Customizable secondary spark plug solution for natural gas-fueled engines
- Designed for reduced maintenance cost and in-field *rebuild-ability* by the user
- Wide range of available wire styles, Teflon extension lengths, coil connections, extender connections (crimp-style or screw-in SAE adaptor), and other accessories allows for the lead design, form factor, and cost to be designed and built for the individual application
- Integrated resistors for RFI suppression
- Special extensions available for various OEM applications including Caterpillar 3300/3400 and Waukesha VHP
- Users can purchase finished leads from their Distributor/Dealer or build and service the lead themselves using standard Flashguard 2.0 lead components

Functional secondary spark plug leads are critical to the performance of all natural gas fueled engines. Assuring a high level of performance and reliable service from these critical components and delivering them to the user in a package that allows for cost-effective, simple maintenance by the operator delivers solid customer value.

The Flashguard 2.0 Secondary Spark Plug Lead System

builds on the technically and commercially successful Flashguard lead program by adding the ability of the user or the local Distributor/Dealer to fully rebuild the lead in the field. Incorporating custom Teflon extensions—including special extensions for the Caterpillar 3300 and 3400 and others—multiple wire styles, a range of primary and secondary connections, and an assortment of lead accessories, a user can cost-effectively specify a lead for manufacture by their local Distributor or locally by their own personnel. In either case, the Distributor/Dealer or the user can service/rebuild the leads when necessary with moderately priced, easily installed replacement components, including new O-rings, wires, boots, or grommets/terminal pins acquired directly from the Distributor's inventory or their own. For the gas engine operator, this approach offers accessibility, reliability, and the performance that are critical to minimize downtime, while driving the necessary cost-control and serviceability that are so crucial to 21st century operation.

The six-step Flashguard 2.0 Specification and Component Order Process is laid out on the following pages. A short summary appears below:

- STEP 1 Extension Length and Diameter Configuration (14/18mm, 6"/9", Caterpillar 330/3400 special)
- STEP 2 Coil Connection Configuration (Unshielded/Shielded/CPU-XL, 1K Ohm Resistor, 180°/90°)
- STEP 3 Extender Connection Configuration (Terminal Crimp on/SAE Adaptor)
- STEP 4 Wire Boot Configuration (if using SAE Adaptor Terminal in Step 3)
- STEP 5 Accessories (Spark plug O-ring, Grommets, Spark Plug Well Boot)
- STEP 6 Spark Plug Wire (Copper, 7mm standard or extra stiff, Stainless Steel, 7mm Standard)

Please consult with your local Distributor/Dealer or Altronic Regional Manager for additional details.



Follow these 6 steps to select the components needed for custom extension configuration.

STEP 1 – SELECT EXTENDER CONFIGURATION

Small Style Insulator (14mm)

6" PTFE Extension Assembly, 14mm plug, 5K ohm	597411
9" PTFE Extension Assembly, 14mm plug, 5K ohm	597412

Large Style Insulator (18mm or 7/8")

6" PTFE Extension Assembly, 18mm plug, 5K ohm	597421
9" PTFE Extension Assembly, 18mm plug, 5K ohm	597422
12" PTFE Extension Assembly, 18mm plug, 5K ohm	597423
18" PTFE Extension Assembly, 18mm plug, 5K ohm	597425
24" PTFE Extension Assembly, 18mm plug, 5K ohm	597427

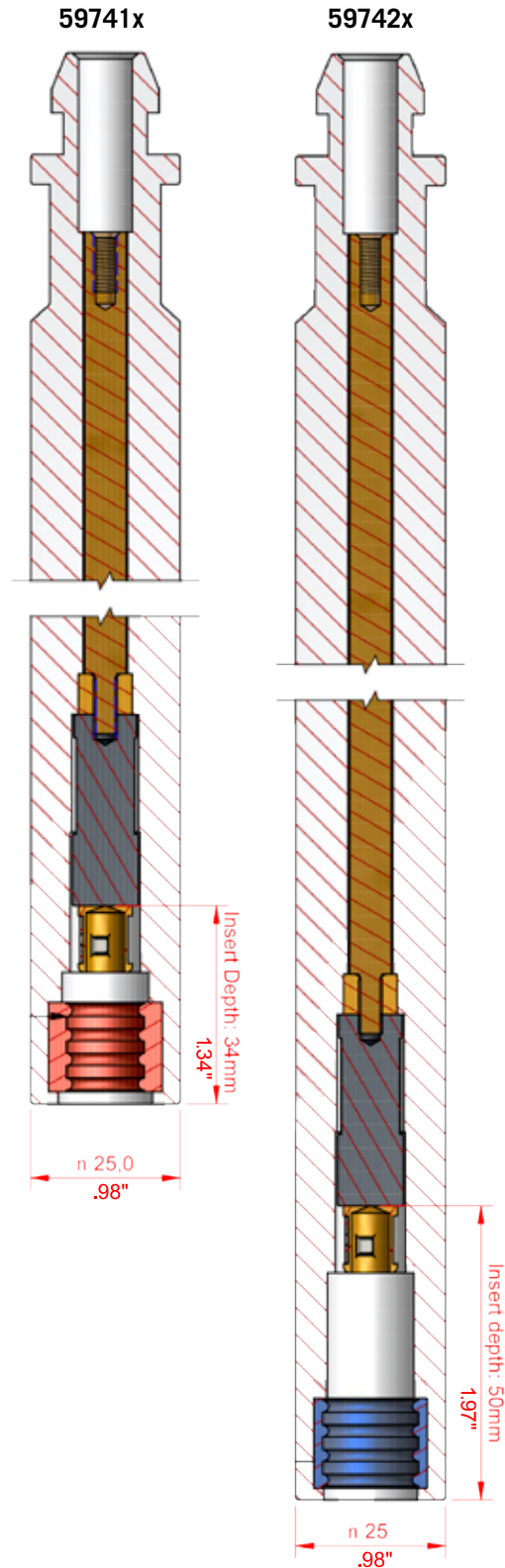
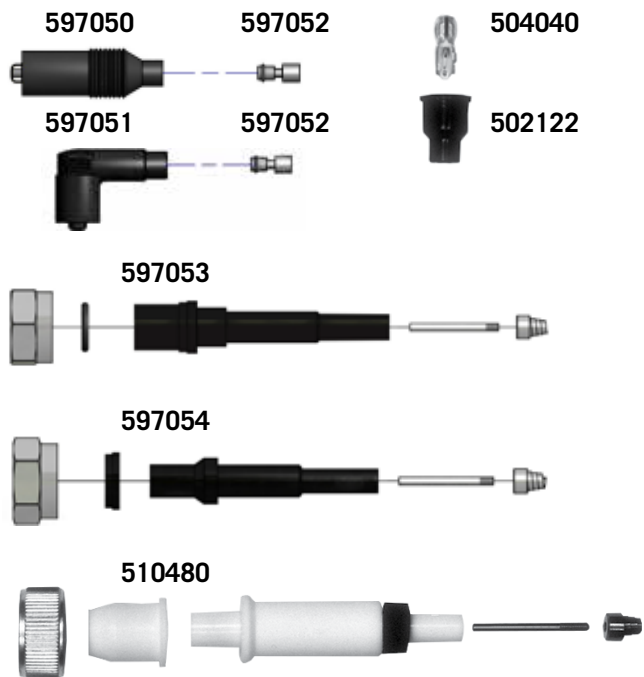
STEP 2 – SELECT COIL CONNECTION CONFIGURATION

Unshielded Style Coil

180° Coil Connection, Unshielded, 1K ohm	597050
90° Coil Connection, Unshielded, 1K ohm	597051
Wire Terminal (required for both 1K ohm)	597052
180° Coil Terminal	504040
180° Coil Boot	502122

Shielded Style Coil

Coil Connection Kit, Shielded 2", POM terminal	597053
Coil Connection Kit, CPU-XL 2", POM terminal	597054
Coil Connection Kit, Shielded Lead	510480



STEP 3 – SELECT EXTENDER CONNECTION CONFIGURATION

Terminal, crimp on, M4 connection	597081
M4→SAE Adapter Terminal	597082
SAE Wire Terminal	504040

STEP 4 – SELECT WIRE BOOT CONFIGURATION

Wire Boot, 180°	597010
Wire Boot, 90°	597011

STEP 5 – SELECT ACCESSORIES

Grommet, Spark Plug Wire	597080
Universal Plug-well Boot	597020
O-Rings, 18mm – Blue	597070
O-Rings, 14mm – Red	597071
O-Rings, 14mm – Small Insulator, black	597072

NOTE: All 59741x extensions include 597071 O-ring,
All 59742x extensions include 597070 O-ring

STEP 6 – SELECT SPARK PLUG WIRE

Sparkplug Wire, 7mm, Cu Conductor, 100'	503186-100
Sparkplug Wire, 7mm, SS Conductor, 100'	503369-100
Sparkplug Wire, 7mm, Extra Stiff, Cu Conductor, 100'	503425-100
Protective Silicone Hose, 100'	503328-100

597081



597082



597010



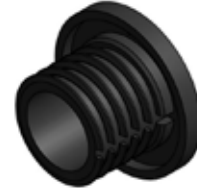
597011



597080



597020



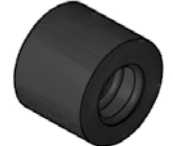
597070



597071

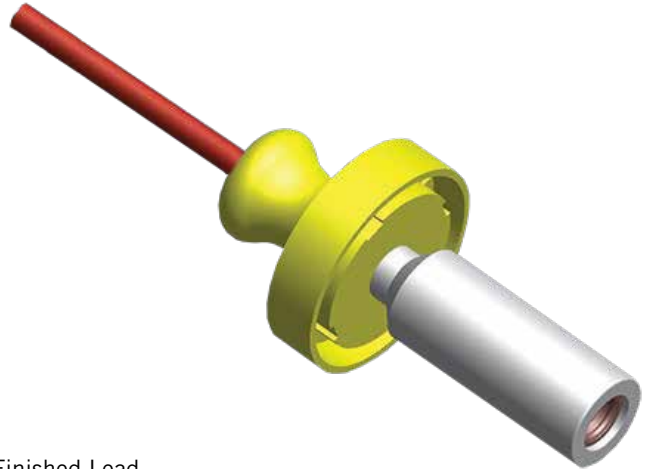


597072



Ordering Guide: Standard Offerings and Accessories

Description	P/N
Caterpillar 3300 Complete Cable, 1K ohm	597110
Caterpillar 3400 Complete Cable, 1K ohm	597111
Caterpillar 300 Series Complete Cable, 1K ohm	597112
Waukesha VHP Series 2 Complete Cable, 1K ohm Coil Connector and 5K ohm Extension	597130
Cummins 855 Secondary Lead, 5k ohm	597116
Cummins 5.9/8.3 Secondary Lead, 5k ohm	597117
Top Boot, 180°	597010
Top Boot, 90°	597011
Universal Boot – Jenbacher, Waukesha, Perkins, Guascor	597020
Caterpillar Boot (3300) – Yellow	597030
Caterpillar Boot (3400) – Black	597031
180° Coil Connection, Unshielded, 1K ohm	597050
90° Coil Connection, Unshielded, 1K ohm	597051
Coil Connector, Wire Terminal, Unshielded, Snap On, Nickel Plated	597052
180° Coil Connection Kit, CPU-XL 2", POM Terminal	597053
180° Coil Connection Kit, Shielded 2", POM Terminal	597054
180° Coil Terminal	504040
180° Coil Boot	502122
O-Rings – 18mm	597070
O-Rings – 14mm	597071
O-Rings, 14mm – Small Insulator	597072
Grommet, Spark Plug Wire	597080
Terminal, Crimp On, M4 Connection	597081
Adapter Pin M4->SAE, Brass, L = 1"	597082



Finished Lead
Caterpillar 3300/3400 (597110/597111), 597110 shown.

altronic

HOERBIGER Engine Solutions

712 Trumbull Avenue, Girard, Ohio 44420
(330) 545-9768 / Fax: (330) 545-3231
Email: sales.altronic.girard@hoerbiger.com

Form FLASHGUARD 2 5-18 ©2018 Altronic, LLC