

DPYH-4390U SERIES DIGITAL ALARM TEMPERATURE MONITORS

- 4 and 8-point models
- Individual setpoint for each channel
- Microprocessor-based
- Universal features:
 - Power from C.D. ignition or 12-48 Vdc
 - Selectable for type J or K thermocouple
 - Selectable degrees C or F readout
 - Solid-state N.O. limit switches
- Temperature limits set from front using the display readout
- Rugged, anodized aluminum case

TYPICAL APPLICATIONS:

- * Engine cylinder exhaust temperatures
- * Engine water and oil temperatures
- * Compressor process gas temperatures
- * Turbocharger inlet/outlet temperatures
- * Catalytic converter inlet/outlet temperatures
- * Critical temperatures on any type of machinery

The Altronic DPYH-4390U series temperature monitors are electronic instruments designed to monitor temperatures using industry-standard type J or K thermocouple probes. Models are available with 4 or 8 channels. Both versions can be set for readout in either degrees C. or F. and may be powered from either a C.D. ignition system or 12-48 Vdc.

An individual setpoint is provided for each channel. The setpoints are adjustable from the front of the device using the display. Each alarm channel has its own dedicated normally-open solid-state output switch suitable for hook-up to an Altronic annunciator or DC-operated relay.

The display indicates both the channel number and the monitored temperature. A push of the sealed membrane keypad allows any channel to be displayed for readout or for a continuous scan of all channels. All points are continuously monitored internally for alarms.

Cold junction compensation is provided, eliminating the need for field calibration. An open thermocouple is indicated by a specific display readout. The devices are housed in a gasketed, anodized aluminum case, making them ideal for oilfield and other demanding environmental applications.



Specifications

Power Requirement	C.D. ignition (110V min.) or 12-48 Vdc
Hazardous Area Classification	Class I, Div. 2, Group D See "To Order" for Class I, Div. 1, Group D
Instrument Display	5-digit LCD, 0.4" height
Display Readout	Degrees C. or F. (user selectable)
Instrument Range	
Readout	32°F. to 1500°F. / 0°C. to 800°C.
Setpoint	160°F. to 1400°F. / 0°C. to 760°C.
Instrument Accuracy	±1% of reading, ±3 degrees
Display Update Rate	3 times per second
Setpoint Switch Rating	
DPYH-4394U	400 Vdc, 0.15 amp continuous
DPYH-4398U	50 Vdc, 0.1 amp continuous
Ambient Temperature Rating	-40°F. to +175°F. / -40°C. to +80°C.
Thermocouple Type	Type J or K (user selectable)
Cold Junction Compensation	Automatic

To Order

Temperature Monitor 4-Points	DPYH-4394U*
Temperature Monitor 8-Points	DPYH-4398U**

* Replaces former model DPYH-4354U.

** Replaces former model DPYH-4396U.

CLASS I, DIVISION 1, GROUP D HAZARDOUS AREA APPLICATION

Intrinsically Safe Operation:

Ignition-powered, use Altronic Barrier and Cable listed below.

Negative Ground Ignition

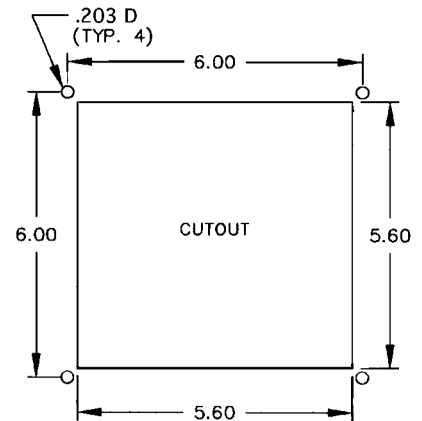
Positive Ground Ignition

Cable Assembly

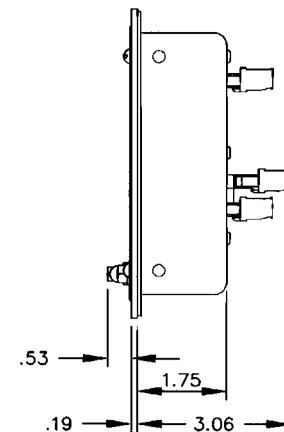
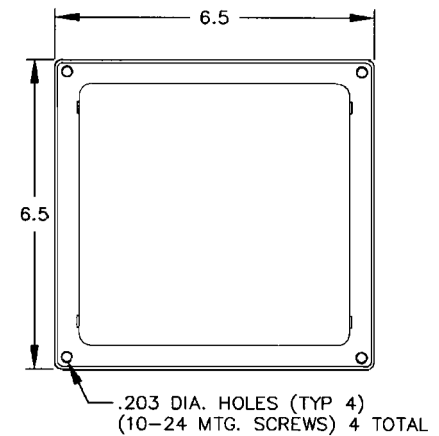
DC-powered: Use CSA certified barrier rated 30V. max, 120V. max.

Class I, Group D Enclosure

Dimensions



RECESSED MOUNTING



ALTRONIC

A Member of the HOERBIGER Group

712 Trumbull Avenue / Girard, Ohio 44420

(330) 545-9768 / Fax: (330) 545-3231

www.altronic-llc.com / Email: sales@altronic-llc.com

Form DPYH4390U 8-22 ©2022 Altronic, LLC

