

DPYH-1379U UNIVERSAL DIGITAL ALARM TEMPERATURE GAUGE

- 2-point mode replaces older 1 and 2 pt. gauges
- 9-point mode for cylinder exhaust applications
- Universal features:
 - Power from C.D. ignition or 12-48 Vdc
 - Selectable degrees C or F readout
 - Selectable type J or K thermocouple
 - Solid-state N.O. limit switches
- Temperature limit set from front using the display readout

2-POINT MODE: 2 points are monitored with an individual high-limit setpoint for each channel. Typical applications include engine oil and water, compressor gas process and exhaust or catalytic converter temperatures.

9-POINT MODE: 9 points are monitored with point 0 protected by the first high-limit setpoint and points 1 through 8 by the second setpoint. Channels 1 to 8 are normally used for engine cylinder exhaust with point 0 used for turbocharger or catalytic converter temperatures.

The Altronic DPYH-1379U temperature gauge is a solid-state instrument which provides a continuous temperature readout with an alarm/shutdown capability at user-adjusted temperature limits. Using industry standard thermocouple probes, the device is user-selectable for either type J or K sensors and for degrees C. or F. readout. Power is from an industrial C.D. ignition system or 12-24 Vdc. The solid-state output limit switches can be used with Altronic annunciators/controllers or other specified devices (such as solenoids, or conventional relays) operated from DC current.

The display indicates the channel and temperature; a momentary push of the CHANNEL button changes the readout to the next channel. The setpoint limit values can be read on the display and adjusted until the display readout matches the desired temperature. The 4-1/2" round, weather-resistant case fits an industry-standard panel cutout allowing easy replacement of analog/mechanical devices.

 CERTIFIED CLASS I,
DIVISION 1 and 2, GROUP D



Specifications

Power Requirement	C.D. ignition (110V min.) or 12-48 Vdc
Hazardous Area Classification	Class I, Div. 2, Group D See "To Order" for Class I, Div. 1, Group D
Instrument Display	5-digit LCD, 0.4" height
Display Readout	Degrees C. or F. (user selectable)
Thermocouple Type	Type J or K (user selectable)
Instrument Range:	
Type J Thermocouple	-76°F. to 1382°F. / -60°C. to 750°C.
Type K Thermocouple	-76°F. to 1472°F. / -60°C. to 800°C.
Instrument Accuracy	±1% of reading, ±3 degrees
Display Update Rate	2 seconds nominal
Setpoint Switch Rating	N.O. 400 Vdc, 0.2 amp
Ambient Temperature Rating	-40°F. to +175°F. / -40°C. to +80°C.
Case style	Industry-standard 4-1/2" weather-resistant

To Order

Digital Alarm Temperature Gauge, 2 or 9 Point Modes DPYH-1379U

This gauge replaces former models:

DPYH-1301U-J, DPYH-1301U-K

DPYH-1392U-J, DPYH-1392U-K

FWMurphy® MDTM89 series

CLASS I, DIVISION 1, GROUP D HAZARDOUS AREA APPLICATION

Intrinsically Safe Operation:

Ignition-powered, use Altronic Barrier and Cable listed below.

Negative Ground Ignition 690107

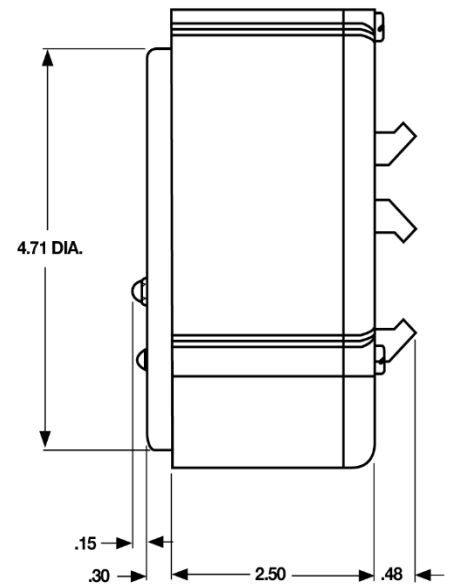
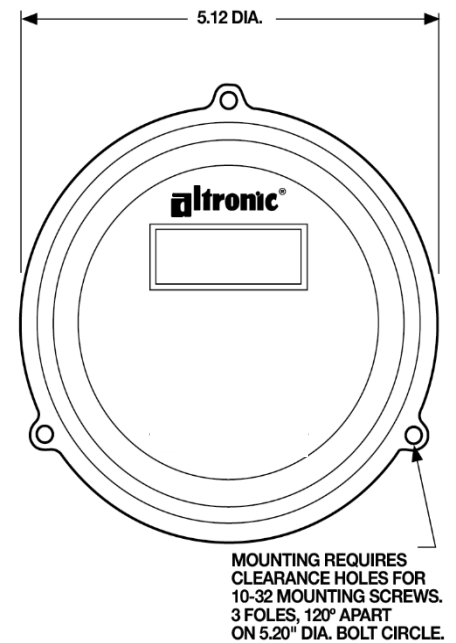
Positive Ground Ignition 690108

Cable Assembly 693106-1

DC-powered: Use CSA certified barrier rated 30Vdc max.

Class I, Group D Enclosure 690013-1

Dimensions



ALTRONIC

A Member of the HOERBIGER Group

712 Trumbull Avenue / Girard, Ohio 44420

(330) 545-9768 / Fax: (330) 545-3231

www.altronic-llc.com / Email: sales@altronic-llc.com

Form DPYH1379U 11-24 ©2024 Altronic, LLC

