

## DPYH-4398U DIGITAL TEMPERATURE MONITOR

- Universal 8-point model
- Individual setpoint for each channel
- Microprocessor-based
- Universal features:
  - Power from C.D. ignition or 12-48 Vdc
  - Selectable for type J or K thermocouple
  - Selectable degrees C or F readout
  - Solid-state N.O. limit switches
- Temperature limits set from front using the display readout
- Rugged, anodized aluminum case

### TYPICAL APPLICATIONS:

- \* Engine cylinder exhaust temperatures
- \* Engine water and oil temperatures
- \* Compressor process gas temperatures
- \* Turbocharger inlet/outlet temperatures
- \* Catalytic converter inlet/outlet temperatures
- \* Critical temperatures on any type of machinery

The Altronic DPYH-4398U temperature monitor is an electronic instrument designed to monitor temperatures using industry-standard type J or K thermocouple probes. The DPYH-4398U model replaces all former DPYH 4-point and 6-point versions. The device can be set for readout in either degrees C. or F. and may be powered from either a C.D. ignition system or 12-48 Vdc.

An individual setpoint is provided for each channel. The setpoints are adjustable from the front of the device using the display. Each alarm channel has its own dedicated normally-open solid-state output switch suitable for hook-up to an Altronic annunciator or DC-operated relay.

The display indicates both the channel number and the monitored temperature. A push of the sealed membrane keypad allows any channel to be displayed for readout or for a continuous scan of all channels. All points are continuously monitored internally for alarms.

Cold junction compensation is provided, eliminating the need for field calibration. An open thermocouple is indicated by a specific display readout. The device is housed in a gasketed, anodized aluminum case, making it ideal for oilfield and other demanding-environment applications.



CERTIFIED CLASS I,  
DIVISION 1 and 2, GROUP D



## Specifications

Power Requirement .....	C.D. ignition (110V min.) or 12-48 Vdc
Hazardous Area Classification .....	Class I, Div. 2, Group D See "To Order" for Class I, Div. 1, Group D
Instrument Display .....	5-digit LCD, 0.4" height
Display Readout .....	Degrees C. or F. (user selectable)
Instrument Range	
Readout .....	32°F. to 1500°F. / 0°C. to 800°C.
Setpoint .....	160°F. to 1400°F. / 0°C. to 760°C.
Instrument Accuracy .....	±1% of reading, ±3 degrees
Display Update Rate .....	2 seconds nominal
Setpoint Switch Rating .....	400 Vdc, 0.15 amp continuous (earlier versions are rated 50 Vdc, 0.1 amp continuous – check back label)
Ambient Temperature Rating .....	-40°F. to +175°F. / -40°C. to +80°C.
Thermocouple Type .....	Type J or K (user selectable)
Cold Junction Compensation .....	Automatic

## To Order

Temperature Monitor 8-Points ..... DPYH-4398U

This device replaces former models DPYH-4354U\*, -4394U\*, -4396U.

\* DPYH-4398U must have a 400V. output switch rating on the back label.

### CLASS I, DIVISION 1, GROUP D HAZARDOUS AREA APPLICATION

#### Intrinsically Safe Operation:

Ignition-powered, use Altronic Barrier and Cable listed below.

Negative Ground Ignition ..... 690107

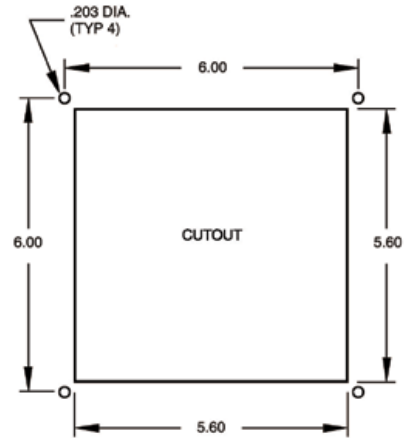
Positive Ground Ignition ..... 690108

Cable Assembly ..... 693106-1

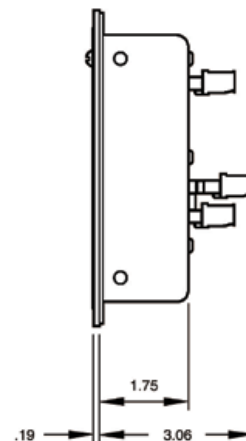
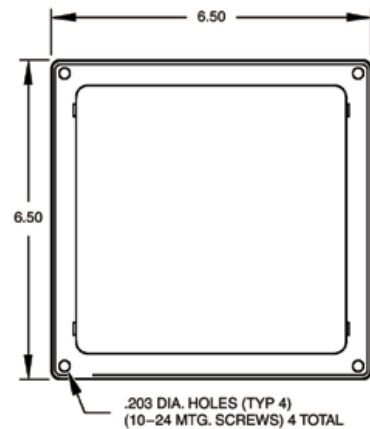
DC-powered: Use CSA certified barrier 30V. max, 120V. max.

Class I, Group D Enclosure ..... 690013-1

## Dimensions



RECESSED MOUNTING



# ALTRONIC

A Member of the HOERBIGER Group

712 Trumbull Avenue / Girard, Ohio 44420

(330) 545-9768 / Fax: (330) 545-3231

www.altronic-llc.com / Email: [sales@altronic-llc.com](mailto:sales@altronic-llc.com)

Form DPYH4398U 11-24 ©2024 Altronic, LLC

