

# DSM-4689DUS

## DIGITAL ANALOG MONITOR

- Universal 8-point analog input model
- Tachometer/Overspeed/Hourmeter
- Individual setpoint for each channel
- Microprocessor-based
- Universal features:
  - High/low setpoints for each channel
  - Solid-state N.O./N.C. output switch
  - Modbus RTU, RS-485 serial communications
- 12-30 Vdc powered
- Analog input 0-5V., 1-5V., 0.5-4.5V.
- Rugged, anodized aluminum case

### TYPICAL APPLICATIONS:

- \* Compressor process pressures & temperatures
- \* Engine/compressor water and oil temperatures
- \* Critical pressures/temperatures on any machinery

NOTE: DSM-4689DUS replaces former model DSM-4688DUS.

The Altronic DSM-4689DUS setpoint monitor is a universal microprocessor-based instrument designed to monitor critical process variables represented by an analog voltage signal. Typical uses are measurement of pressures, temperatures and speed. In addition, an additional input is provided for connection to a negative ground C.D. ignition system for the tachometer, overspeed and hourmeter functions. The device can be powered from any 12- or 24-volt source capable of supplying 10 watts. Modbus RTU communications is standard.

The DSM-4689DUS has two individual setpoints (high and low) per channel. One solid state form C output switch is provided for connection to the machine protection system. Fault information in order of occurrence is available on the display and via the serial port. The front panel sealed membrane keypad provides easy selection and adjustment of the units, range, setpoints and other configuration data. The DSM-4689DUS is housed in a gasketed, anodized aluminum case making it ideal for oilfield and other demanding-environment applications.

Altronic offers solid state transducers for pressure in six ranges to 5,000 psi/340 bar and for temperature in two series to 300F°/150°C and 450F°/230°C. See back page for details.

 CERTIFIED CLASS I,  
DIVISIONS 1 & 2, GROUP D



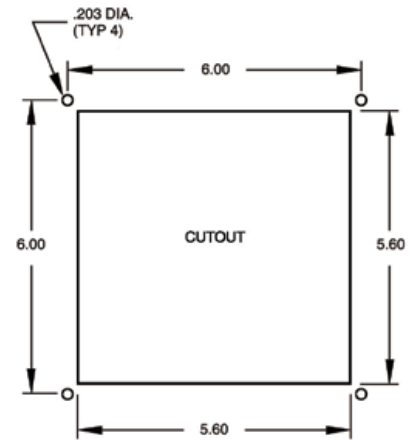
## Specifications

Power Requirement .....	12-30 Vdc, 50 mA max.
Hazardous Area Classification .....	Class I, Div. 2, Group D
Use a CSA-certified zener barrier 30V, 120 ohms for Class I, Div. 1, Group D	
Instrument Display .....	5-digit, 0.5" LCD, backlit
Display Readout .....	0-9999, selectable decimal point
Instrument Accuracy .....	±1% of reading, ±3 units
Display Update Rate .....	1/sec.; RPM 2/sec.
Setpoint Switch Rating .....	200 Vdc, 0.2 amp continuous
Ambient Temperature Rating .....	-40°F. to +175°F. / -40°C. to +80°C.
Power Requirement for Pressure and Temperature Transducers:	
691201 series .....	5Vdc, 20mA max.
691202/691203 .....	5Vdc, 1mA max.
691212/691213 .....	5Vdc, 5mA max.
Accuracy Rating for Pressure and Temperature Transducers:	
691201 series, 0°F to 180°F .....	+/- 1% of full scale
691201 series, 181°F to 221°F .....	+/- 4% of full scale
691202/691203 .....	+/- 3°F/2°C
691212/691213 .....	+/- 6°F/4°C

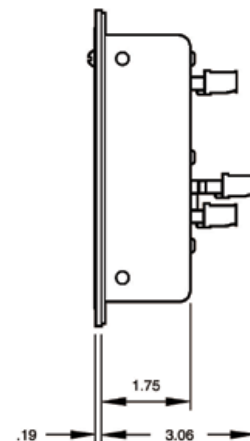
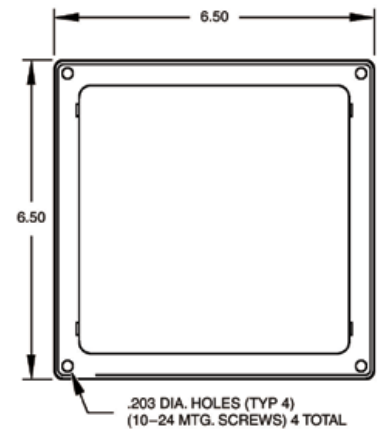
## To Order

Analog Monitor 8-Points w/tachometer .....	DSM-4689DUS
Pressure Transducers:	
0-100psi / 0-680kPa .....	691201-100
0-300psi / 0-2040kPa .....	691201-300
0-500psi / 0-3400kPa .....	691201-500
0-1000psi / 0-6800kPa .....	691201-1000
0-2000psi / 136bar .....	691201-2000
0-5000psi / 340bar .....	691201-5000
Temperature Transducers:	
1.75" Lg.; 5°F to 300°F/-15°C to 150°C .....	691202-300
5.75" Lg.; 5°F to 300°F/-15°C to 150°C .....	691203-300
1.75" Lg.; -40°F to 450°F/-40°C to 230°C .....	691212-450
5.75" Lg.; -40°F to 450°F/-40°C to 230°C .....	691213-450
Transducer Cables:	
5' length .....	693008-5
10' length .....	693008-25
25' length .....	693008-50

## Dimensions



RECESSED MOUNTING



# ALTRONIC

A Member of the HOERBIGER Group

712 Trumbull Avenue / Girard, Ohio 44420  
 (330) 545-9768 / Fax: (330) 545-3231  
 www.altronic-llc.com / Email: [sales@altronic-llc.com](mailto:sales@altronic-llc.com)

Form DSM4689 11-24 ©2024 Altronic, LLC

