

# 691201 SERIES TRANSDUCER

# ALTRONIC

## Product Data Sheet

### Features

- Gauge, vacuum and compound ranges through 0 psig to 10,000 psig
- For static and dynamic load measurements
- No internal sealing elements
- Stainless steel wetted parts
- Piezoresistive silicon chip
- Compact size
- CE compliant

### Applications

- Hydraulics & pneumatics
- Automotive
- Pumps & compressors
- Refrigeration controls
- Transportation



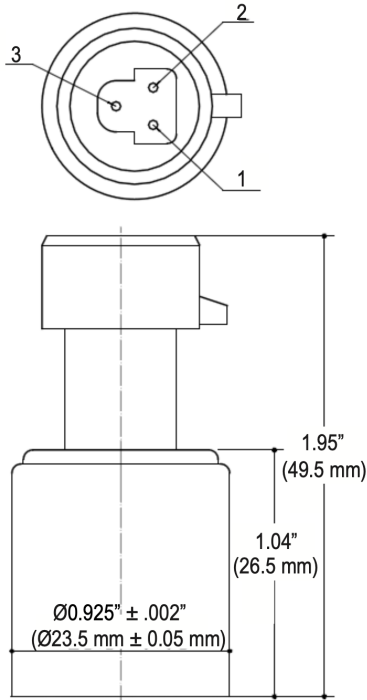
### Specifications

Output signals	0.5 Vdc to 4.5 Vdc 3-wire (ratiometric)
Pressure ranges	Gauge, vacuum and compound ranges through 0 psig to 10,000 psig; other ranges available, consult factory
Accuracy	±0.5% full scale (BFSL) (IEC 61298-2)
Response time	≤1 ms
Service life	≥1,000,000 load cycles
Temperature ranges	Media -22 °F to 221 °F (-30 °C to 105 °C) Ambient -4 °F to 185 °F (-20 °C to 85 °C) Storage -40 °F to 257 °F (-40 °C to 125 °C)
Power requirement*	5 Vdc ± 10% (0.5 Vdc to 4.5 Vdc ratiometric, 3-wire)
Proof pressure	≥2,000 psi: 1.2 times full scale; < 2,000 psi: 2 times full scale
Measuring element	316 Stainless Steel
Connection	304 Stainless Steel
Housing material	304 Stainless Steel
Environmental rating	IP67
Electromagnetic rating	Immunity: IEC 61000-6-2 Radiation: IEC 61000-6-3
Electrical protection	Reverse polarity and short circuit protection
Shock resistance	Shock: 200g/1ms; IEC 60068-2-27 Free fall: 1m; IEC 60068-2-32
Vibration resistance	Sine curve, 20g, 25Hz~2kHz; IEC 60068-2-6 Random: 7.5grms, 5Hz~1kHz, IEC 60068-2-64
Weight	Approximately 3.4 oz.

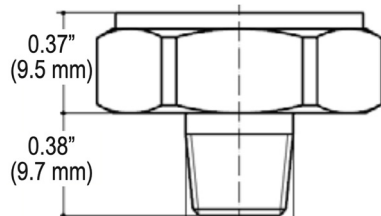
\* Unregulated

# 691201 SERIES TRANSDUCER

## Product Data Sheet



**Metri-Pack 150 Series**



**1/8" NPT Male**

### 3-WIRE WIRING

Wiring	Cable	Metri- Pack
+Supply	Red	1
Common	Black	2
+Output	White	3

### 0-5vdc Transducers

Legacy Altronic # <sup>1</sup>	PSI
691201-50	50 PSIG
691201-100	100 PSIG
691201-300	300 PSIG
691201-500	500 PSIG
691201-1000	1000 PSIG
691201-1500	1500 PSIG
691201-2000	2000 PSIG
691201-3000	3000 PSIG
691201-5000	5000 PSIG
691204-15	15 PSIA
691204-30	30 PSIA
691204-50	50 PSIA
691204-100	100 PSIA
691204-300	300 PSIA

Current Altronic # <sup>2</sup>	PSI
691201-100-ST8	100 PSIG
691201-300-ST8	300 PSIG
691201-500-ST8	500 PSIG
691201-1000-ST8	1000 PSIG
691201-2000-ST8	2000 PSIG
691204-50N-ST8	50 PSIA
691204-100-ST8	100 PSIA
691204-300N-ST8	300 PSIA

1. Does not include built-in dampening orifice
2. Includes built-in dampening orifice

# ALTRONIC

A Member of the HOERBIGER Group  
 712 Trumbull Avenue | Girard Ohio 44420  
 330 | 545 | 9768 Fax: 330 | 545 | 9005  
[www.altronic-llc.com](http://www.altronic-llc.com)